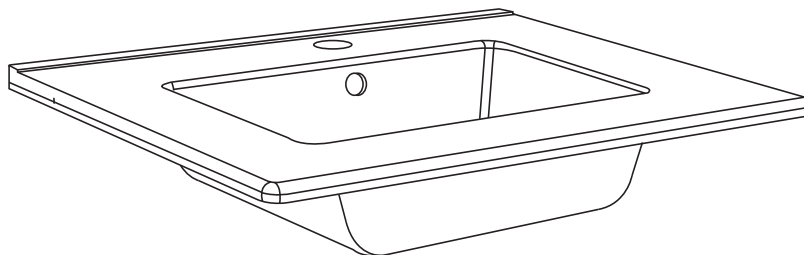
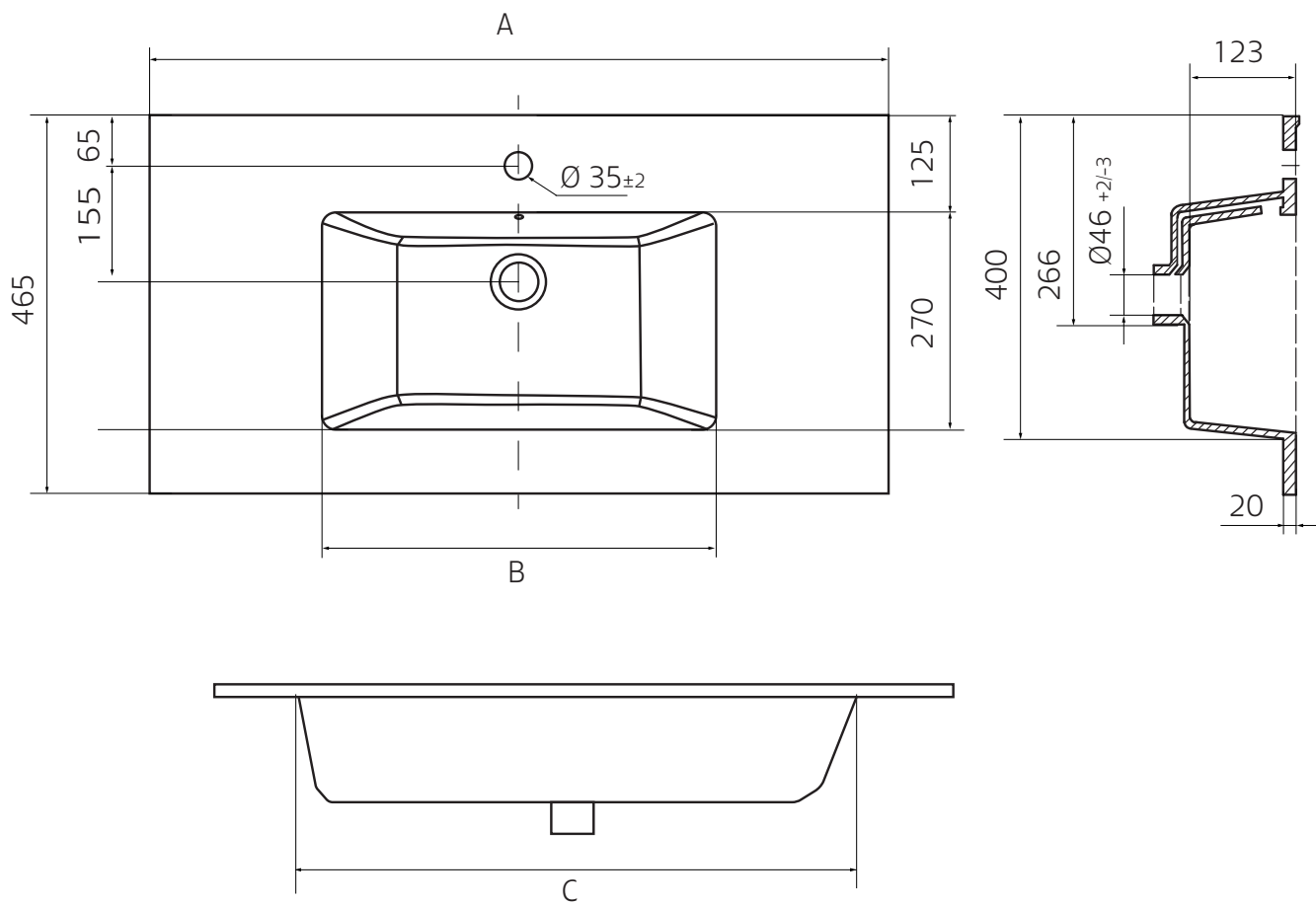


Hafa[®] On Soft

Art no: 1273160, 1273161, 1273162, 1273163, 1273165, 1273166



	A	B	C
600	610±6	435	450
800	810±6	470	485
900	910±6	525	540
1000	1010±6	525	540



[mm] general tolerance: ± 5