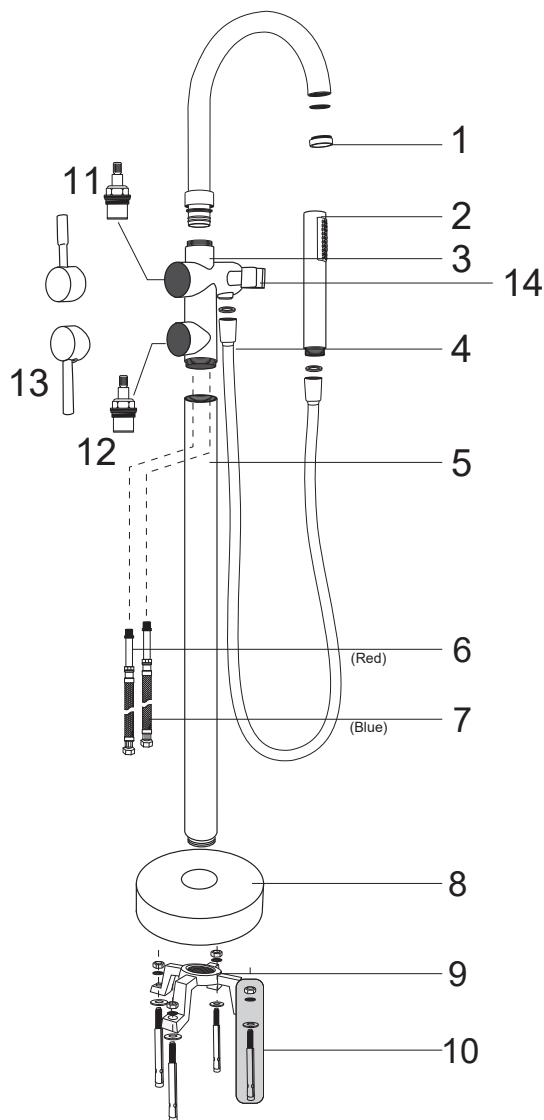


# Hafa® GRAND

Art: 1445557



	art.no.	beskrivning	description
1	9472-B	PERLATOR	AERATOR
2	9339	DUSCHHANDTAG	SHOWER HANDLE
3	9472-D	BLANDARE KROPP	MIXER BODY
4	9087	SLANG HANDDUSCH	HOSE FOR HAND SHOWER
5	9472-F	VERTIKAL NEDRE RÖR	VERTICAL LOWER TUBE
6	9472-G	FLEXIBEL SLANG RÖD	FLEXIBLE RED HOSE
7	9472-H	FLEXIBEL SLANG BLÅ	FLEXIBLE BLUE HOSE
7	9600016	FLEXIBEL SLANG (FR.2020) PAR	FLEXIBLE HOSE (FR.2020) PAIR
8	9472-I	TÄCKKÅPA GOLV	DECORE COVER
9	9472-J	FIXERINGSSTATIV	FIXED STAND
10	9472-K	EXPANSIONSSKRUVAR	EXPANSION SCREWS
11	9300-F	OMKASTARE INSATS	DIVERTER CARTRIDGE
11	9600017	OMKASTARE INSATS (FR.2020)	DIVERTER CARTRIDGE (FR.2020)
12	9300-A	TERMOSTAT INSATS	THERMOSTAT CARTRIDGE
13	9209624	GREPP MED LOGO	HANDLE WITH LOGO
14	9209627	HÅLLARE HANDDUSCH	SHOWERHEAD HOLDER

# Hafa®

Hafa  
Svarvaregatan 5, Box 525  
SE-301 80 Halmstad  
SWEDEN

Garanti/Warranty.  
Service, reservdelar/spare parts  
Sweden: +46 (0)35 15 44 75  
Norway: +47 (0)69 31 02 30  
Finland: +358 (0)9 61500940

www.hafa.se  
www.hafa.dk  
www.hafabad.no  
www.hafa.se  
www.hafabathroom.ru  
www.hafa.eu

e-mail:  
service@hafa.se  
service@hafabad.no